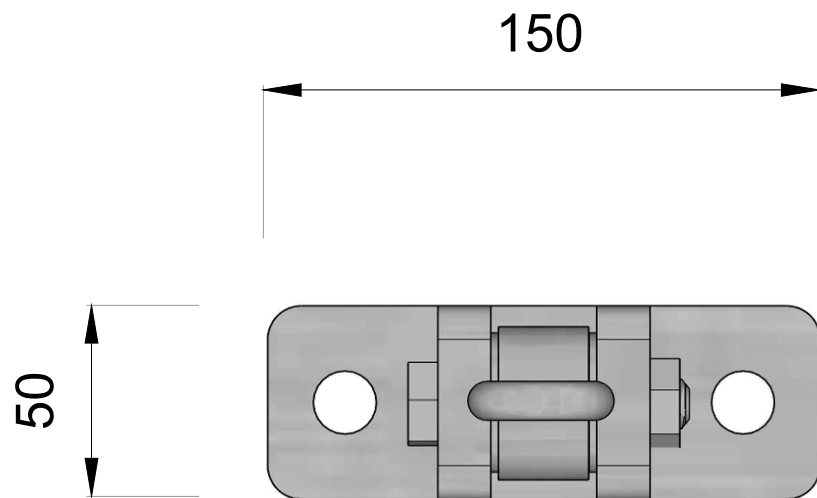
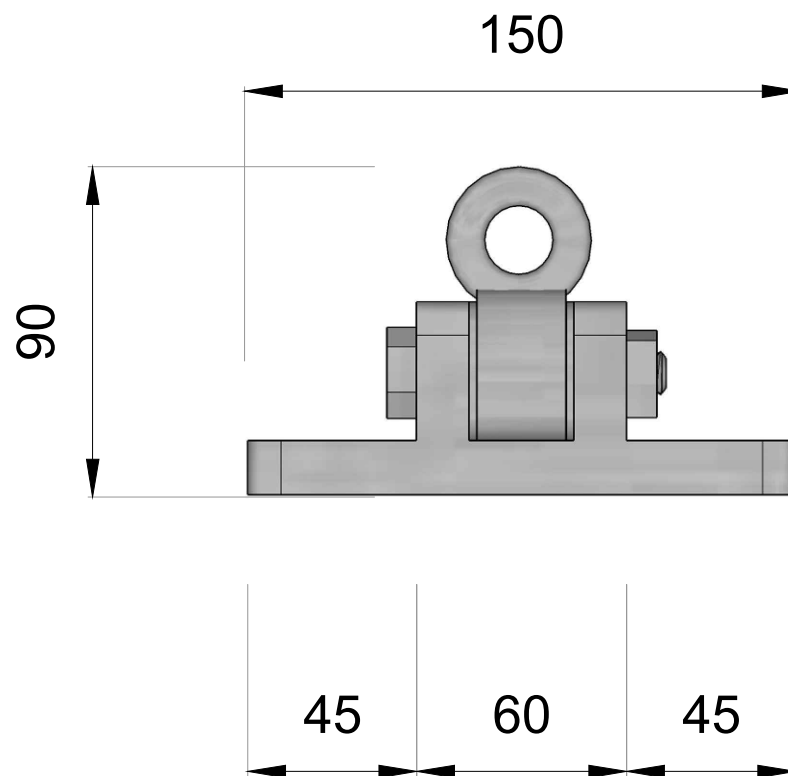


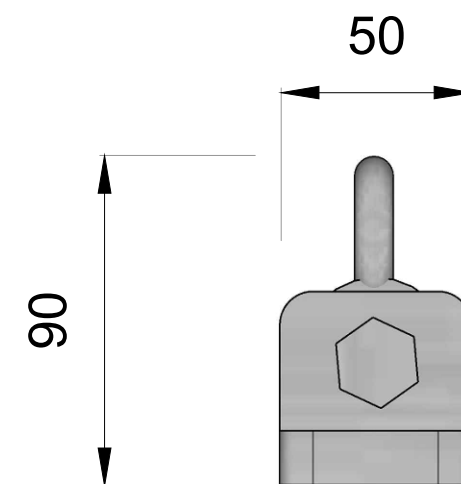
SWING HANGERS
PERSPECTIVE VIEW
 SCALE 1:2 @ A3



SWING HANGERS
TOP VIEW
 SCALE 1:10 @ A3



SWING HANGERS
FRONT ELEVATION
 SCALE 1:10 @ A3



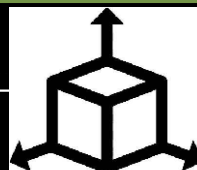
SWING HANGERS
SIDE ELEVATION
 SCALE 1:10 @ A3

NATURE PLAYGROUNDS USE RECYCLED AND RECLAIMED NATURAL PRODUCTS FOR MOST OF OUR HANDCRAFTED PRODUCTS. THIS MAY RESULT IN VARIATION IN SIZE, TEXTURE, APPEARANCE ETC. NATURAL PLAYGROUNDS WILL NOT BE HELD RESPONSIBLE FOR NATURALLY OCCURRING VARIATIONS IN PRODUCTS. WRITTEN PERMISSION MUST BE OBTAINED FROM NATURE PLAYGROUNDS PTY LTD TO USE, DISTRIBUTE, COPY OR REPLICATE WHOLE OR PART OF THIS PRODUCT

SWING HANGERS

CATEGORY: SWING SET

SH-01



FALL HEIGHT: N/A
 SOFTFALL AREA: N/A
 AGE: 2+
 SPACE RQD (INC. SF) : N/A

NOTES :

ALL MEASUREMENTS ARE APPROXIMATE DUE TO VARYING SIZES OF NATURAL MATERIALS. PLEASE ADVISE OF SPECIFIC REQUIREMENTS TO BE ACCOMMODATED

Reviewed by 'KidsafeWA'



08 9374 0573

PO Box 3111 MIDLAND
 Western Australia 6056

info@natureplaygrounds.com.au
 www.natureplaygrounds.com.au

